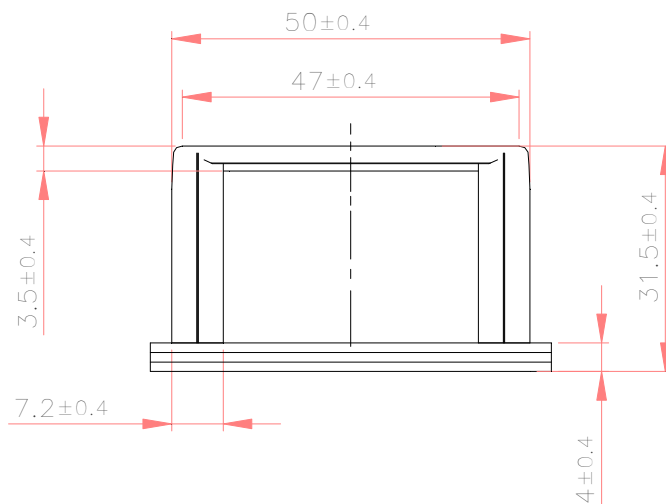


PreBeam® 0,15 Alu / 4,0 Wood

Specific mass: 224 g/m (+/- 5 %)
Material: AW 1200
 Birch plywood
 PU-adhesive
Length: 2950 mm (+/- 1 %)
Corrugating modulus: 2,5 mm
Aluminium thickness: 0,15 mm
Surface aluminium: non-treated
Surface laminate: non treated
Max. temp. (continuous): 70 °C
Min. temperature: - 10 °C
Dimensions: 31x56 mm

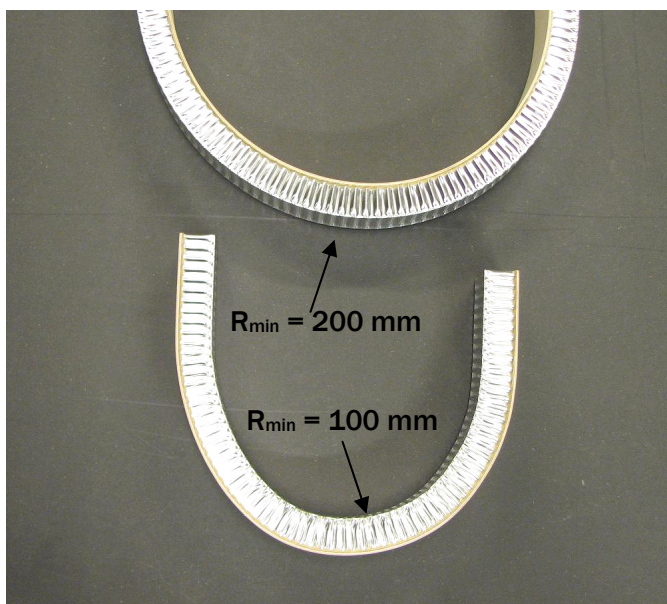


Characteristics: Multipurpose profile for low-weight applications. Extra strength, easy attachment with screws, clamps and adhesive

Cutting: By saw

Radial shapes:

Min. outer radie: 200 mm
Min. inner radie: 100 mm



Storage:

<p>Temperature:</p> <p>Placement:</p>	<p>Room temperature</p> <p>Linear straight lengths on even surface</p> <p>RH 20% - 80 %</p> <p>Avoid direct sunlight</p>
---	--