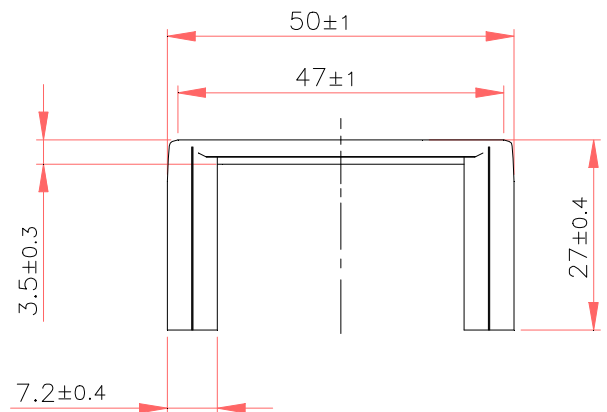


**BeamLine™ 0,10 - Alu**

Specific mass : 52 g/m (+/- 2 g)  
 Material : AW 1050/AW1200  
 Lengths : Customers demand  
 (up to 3000 mm (+/- 2 %))  
 Corrugating modulus : 2,5 mm  
 Surface : non-treated  
 Max. temp. (continuous) : 150 °C  
 Min. temperature : - 50 °C  
 Dimensions : 28x50 mm  
 Material thickness: 0,10 mm  
 Characteristics: Multipurpose profile for  
 low-weight applications



Radial shapes : Min. convex radié : 15 mm  
 Min. concave radié : 100 mm



Horizontal shapes : Min. inner radié : 75 mm  
 (horizontal shaping can affect tightness)



Twisted shapes : Max. twist : 360 degrees/meter

