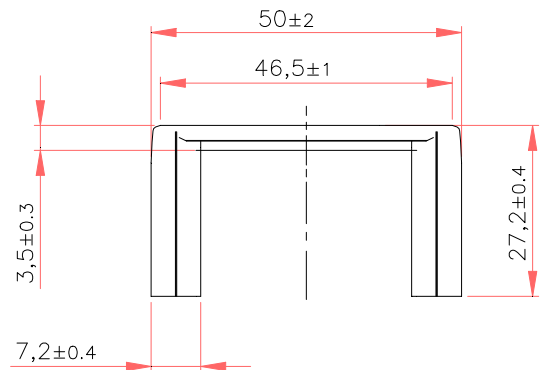


**BeamLine™ 0,10 - MS63**

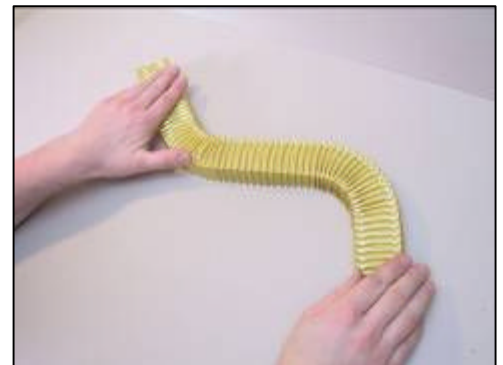
Specific mass : 165 g/m (+/- 5 g)  
 Material : MS 63 b  
 Lengths : Customers demand  
 (up to 3000 mm (+/- 2 %))  
 Corrugating modulus : 2,5 mm  
 Surface : non-treated  
 Max. temp. (continuous) : 300 °C  
 Min. temperature : -20 °C  
 Dimensions : 28x50 mm



Radial shapes : Min. convex radié : 15 mm  
 Min. concave radié : 100 mm



Horizontal shapes : Min. inner radié : 100 mm  
 (horizontal shaping can affect tightness)



Twisted shapes : Max. twist : 360 degrees/meter

