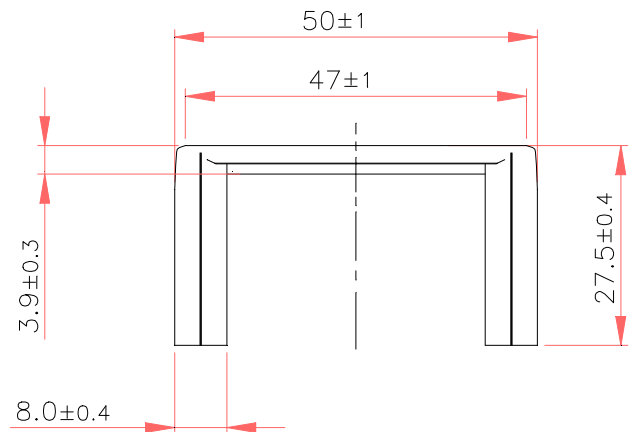


**BeamLine™ 0,15 - Alu**

Specific mass : 78 g/m (+/- 3,0 g)  
 Material : AW 1050/AW1200  
 Lengths : Customers demand  
 (up to 3000 mm (+/- 5 %))  
 Corrugating modulus : 2,5 mm  
 Surface : non-treated  
 Max. temp. (continuous) : 150 °C  
 Min. temperature : - 50 °C  
 Dimensions : 28x50 mm  
 Material thickness: 0,15 mm  
 Characteristics: Multipurpose profile.  
 Suitable for prepregs



Radial shapes : Min. convex radie : 15 mm  
 Min. concave radie : 100 mm  
 (shaping can affect tightness)



Horizontal shapes : Min. inner radie : 75 mm  
 (shaping can affect tightness)



Twisted shapes : Max. twist : 360 degrees/meter  
 (shaping can affect tightness)

