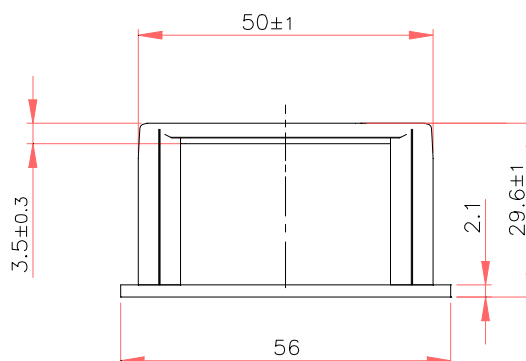


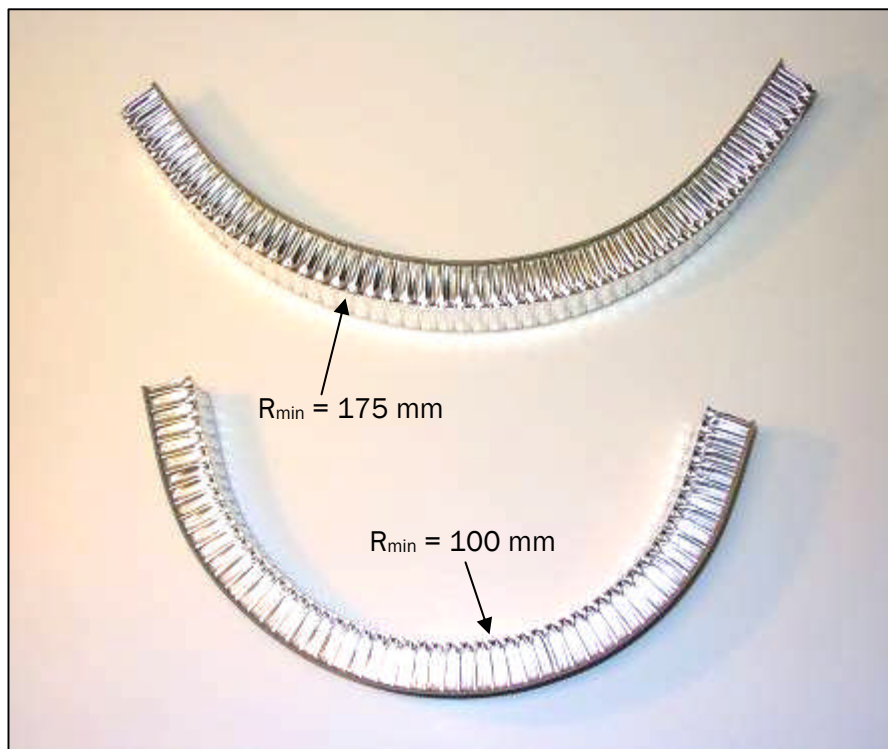
PreBeam® 0,10 Alu / 2,0 Cardboard

Specific mass : 150 g/m (+/- 5 %)
 Material : AW 1050/AW1200
 Cardboard
 PU
 Length : 2950 mm (+/- 1 %)
 Corrugating modulus : 2,5 mm
 Aluminium thickness: 0,10 mm
 Surface : non-treated
 Max. temp. (continuous) : 60 °C
 Min. temperature : - 10 °C
 Dimensions : 30x56 mm
 Characteristics: Multipurpose profile for
 low-weight applications
 For indoor use
 Cutting : By knife, saw or scissors



Radial shapes :

Min. outer radie : 175 mm
 Min. inner radie : 100 mm



Storage : Temperature : Room temperature
 Placement : Linear straight lengths on even surface
 RH 20% - 70 %
 Avoid direct sunlight