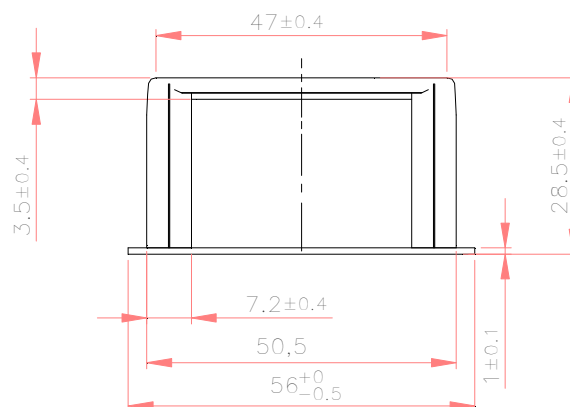


PreBeam® 0,15 Alu / 1,0 Alu

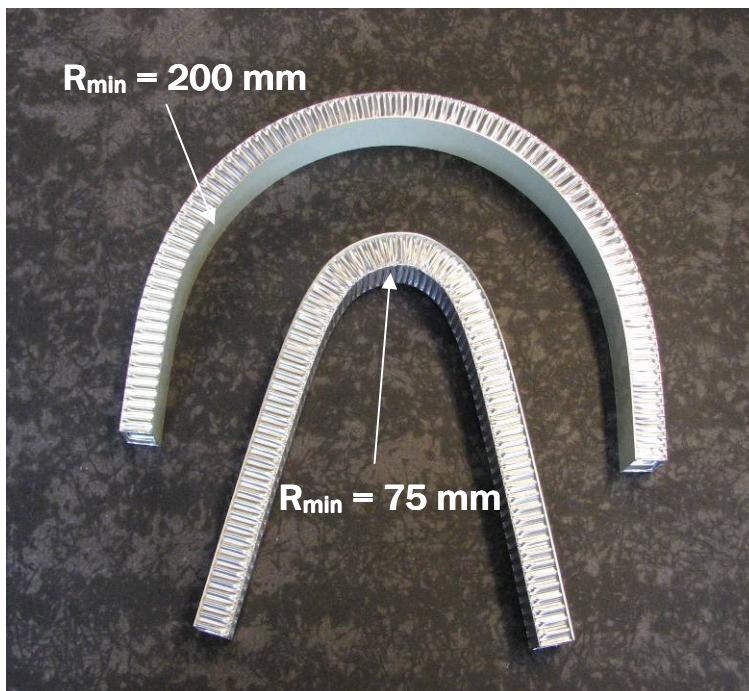
Specific mass: 231 g/m (+/- 5 %)
 Material: AW 1200 Aluminium-primed PU-adhesive
 Length: 2950 mm (+/- 1 %)
 Corrugating modulus: 2,5 mm
 Aluminium thickness: 0,15 mm
 Surface aluminium: non-treated
 Surface aluminium: primed (green)
 Max. temp. (continuous): 60 °C
 Min. temperature: - 10 °C
 Dimensions: 31x56 mm



Characteristics: Multipurpose profile for low-weight applications. Extra strength, easy attachment with rivets, screws, clamps and adhesive
 Cutting: By saw

Radial shapes:

Min. outer radie: 200 mm
 Min. inner radie: 75 mm



Storage: Temperature: Room temperature
 Placement: Linear straight lengths on even surface
 RH 20% - 90 %
 Avoid direct sunlight