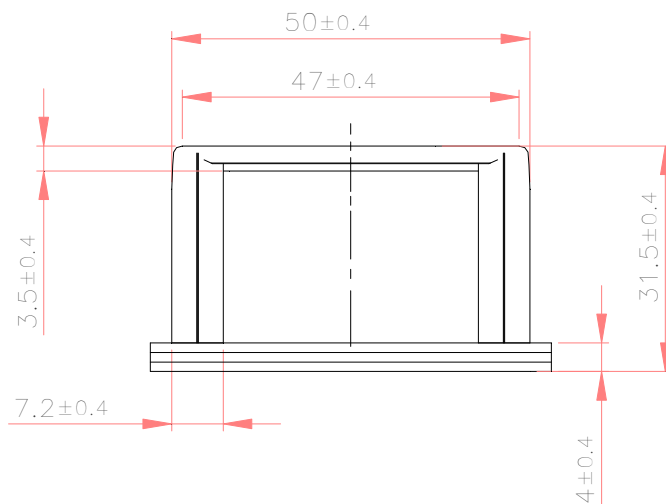


PreBeam® 0,15 Alu / 4,0 Wood

Specific mass: 224 g/m (+/- 5 %)
 Material: AW 1200
 Birch plywood
 PU-adhesive
 Length: 2950 mm (+/- 1 %)
 Corrugating modulus: 2,5 mm
 Aluminium thickness: 0,15 mm
 Surface aluminium: non-treated
 Surface laminate: non treated
 Max. temp. (continuous): 70 °C
 Min. temperature: - 10 °C
 Dimensions: 31x56 mm

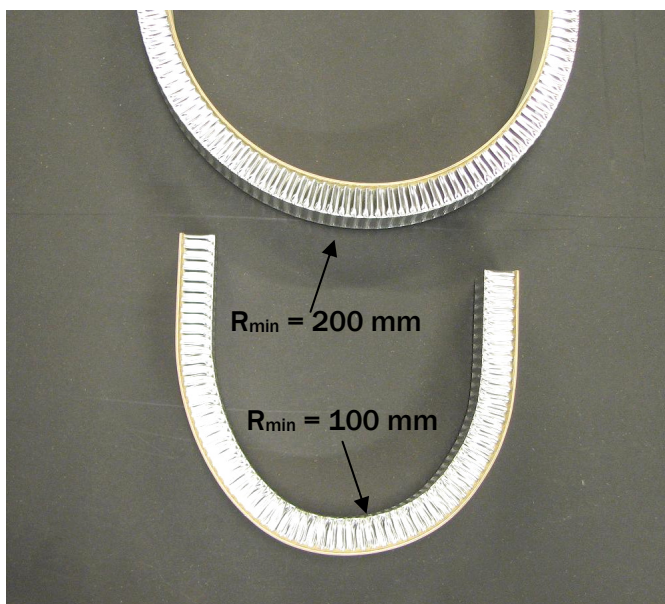


Characteristics: Multipurpose profile for low-weight applications. Extra strength, easy attachment with screws, clamps and adhesive

Cutting: By saw

Radial shapes:

Min. outer radie: 200 mm
 Min. inner radie: 100 mm



Storage: Temperature: Room temperature
 Placement: Linear straight lengths on even surface
 RH 20% - 80 %
 Avoid direct sunlight