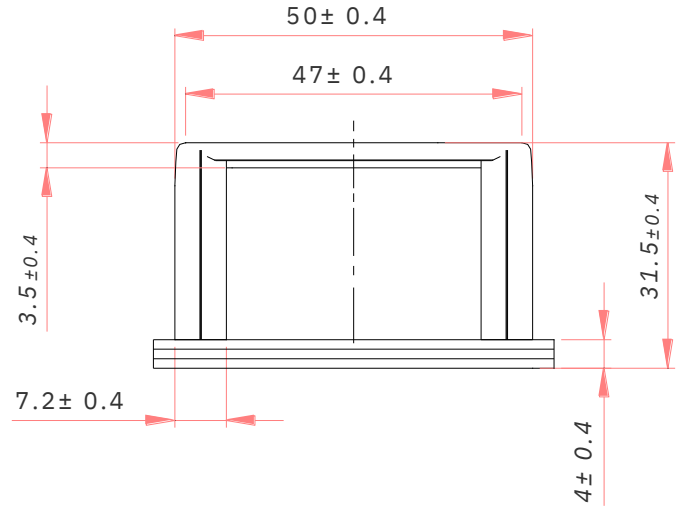


## PreBeam® 0,15 Alu / 4,0 Wood

Specific mass:	224 g/m (+/- 5 %)
Material:	AW 1200 Birch plywood PU-adhesive
Length:	2950 mm (+/- 1 %)
Corrugating modulus:	2,5 mm
Aluminium thickness:	0,15 mm
Surface aluminium:	non-treated
Surface laminate:	non-treated
Max. temp. (continuous):	70 °C
Min. temperature:	-10 °C
Dimensions:	31x56 mm
Characteristics:	Multipurpose profile for low-weight applications. Extra strength, easy attachment with screws, clamps and adhesive
Cutting:	By saw



### Radial shapes

Min. outer radii:	200 mm
Min. inner radii:	100 mm

### Storage

Temperature:	Room temperature
Placement:	Linear straight lengths on even surface RH 20% - 80 % Avoid direct sunlight.

